



Assembly Instructions

Toca Coffee Football Table

(Product Codes: 63007924)

**PLEASE RETAIN THIS DOCUMENT ALONG WITH YOUR
PROOF OF PURCHASE FOR FUTURE**

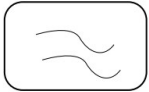
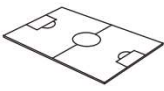


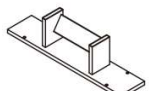
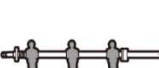

Congratulations on your recent purchase of your beautiful Hartman furniture. We hope it brings you countless special moments with friends and family for many years to come.

Please follow these simple steps to build your furniture. We also have a very useful video available online to assist with the assembly, please visit www.hartmanuk.com

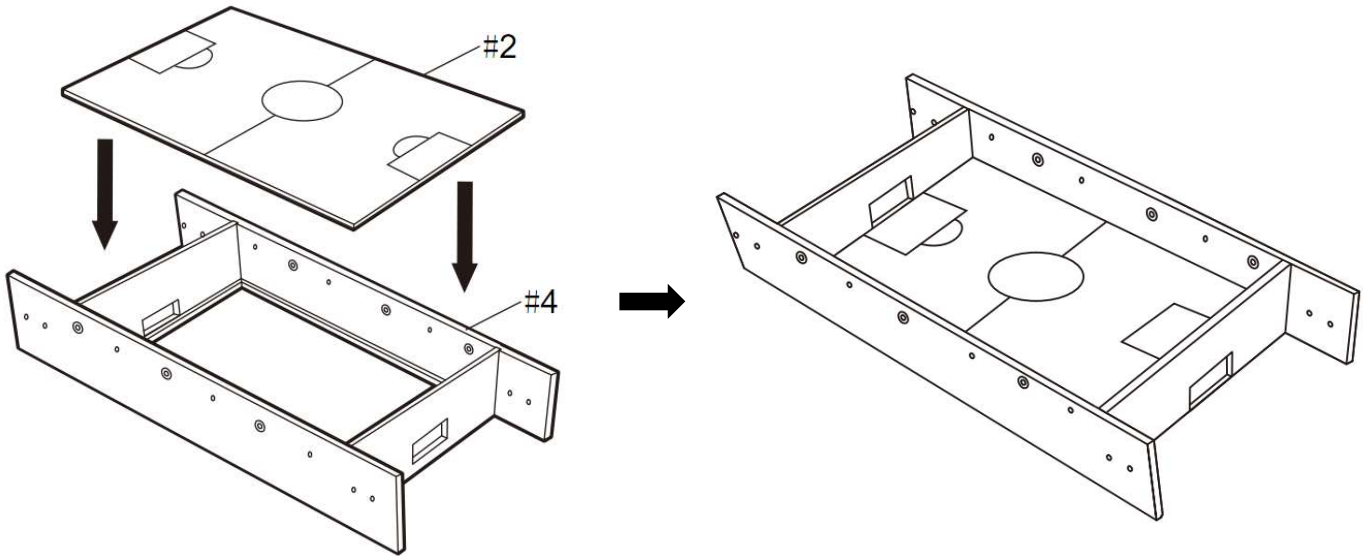
TOP TIPS

- Please read these instructions carefully before assembly, for further assistance please view our assembly video online for an easy step by step demonstration.
- Aluminium is a soft metal and over tightening may strip the thread or break the part, please loosely assembly your furniture before tightening to secure.
- Please **do not** use power tools, please only use the tools provided in the bolt pack.
- Please allow 1 hour for assembly.
- This furniture can be assembled with **1** person; however, you may need someone to assist you when turning the furniture over into position.

PARTS LIST

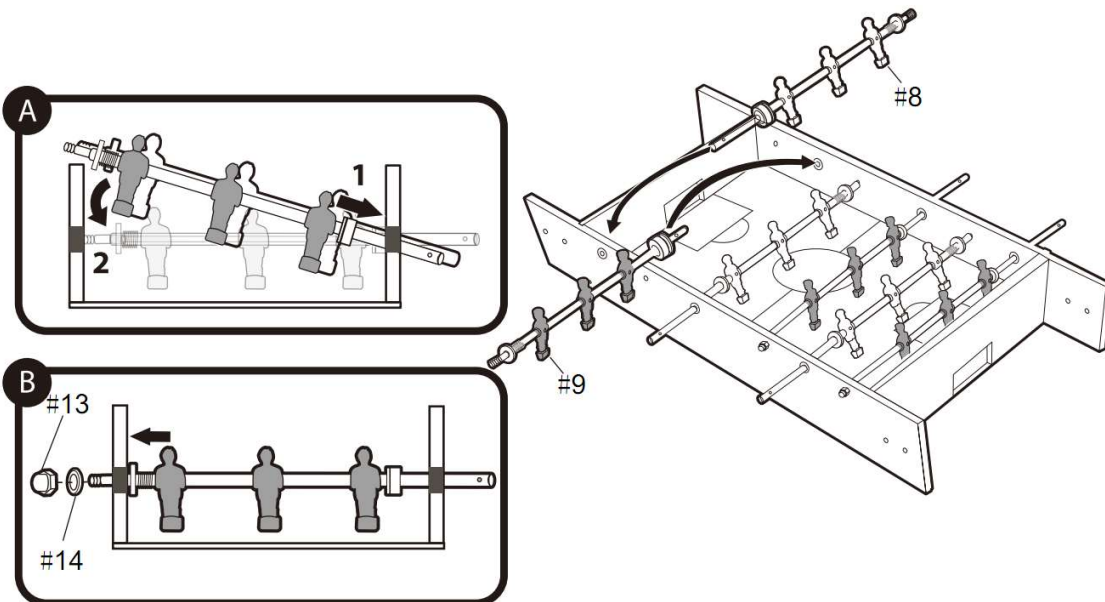
Components					Fixings				
Parts List	Parts Picture	Description	Qty	Part No	Parts List	Parts Picture	Description	Qty	Part No
#1		Top Glass	1	63007924A	#13		Acorn Nut	6	1061171
#2		Playfield	1	63007924B	#14		Small Flat Washer	6	1061166
#3		Top Cabinet	1	63007924C	#15		Big Flat Washer	20	1062162
#4		Soccer Cabinet	1	63007924D	#16		Screw	4	1241168
#5		End Apron	2	63007924E	#17		M6x20 Bolts	12	1091162
#6		Ball Catcher	2	63007924F	#18		M6x30 Bolts	16	1101162
#7		Leg	4	63007924G	#21		Wrench	1	2100049
#8		Players with Rod - A	3	63007924H	#22		Allen Key	1	1010162
#9		Players with Rod - B	3	63007924I					
#10		Handle	6	63007924J					
#11		Scorer A	1	63007924K					
#12		Scorer B	1	63007924L					
#19		Soccer Ball	2	63007924M					
#20		Protective Cover	1	63007924N					

STEP 1: PLAYFIELD BOARD & SOCCER CABINET ASSEMBLY



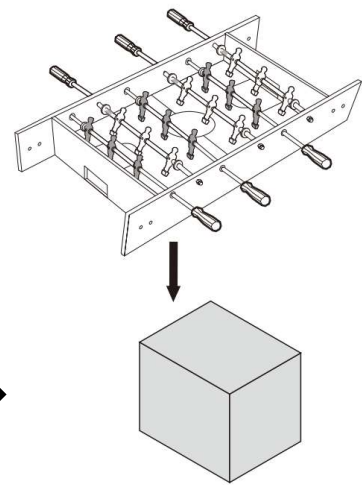
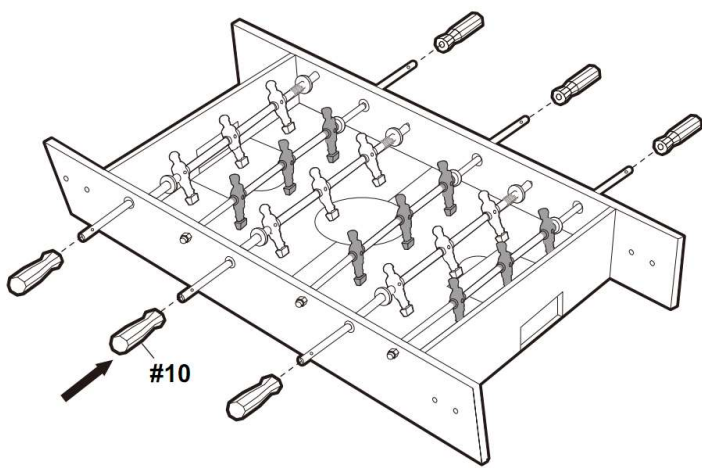
STEP 1: Put playfield board (#2) into soccer cabinet (#4).

STEP 2 & 3: PLAYERS WITH ROD ASSEMBLY



STEP 2: Put 6 pieces players with rod (#8 and #9) through the holes on the cabinet, with flat washers (#14) and acorn nuts (#13) to fix one end of the rod.

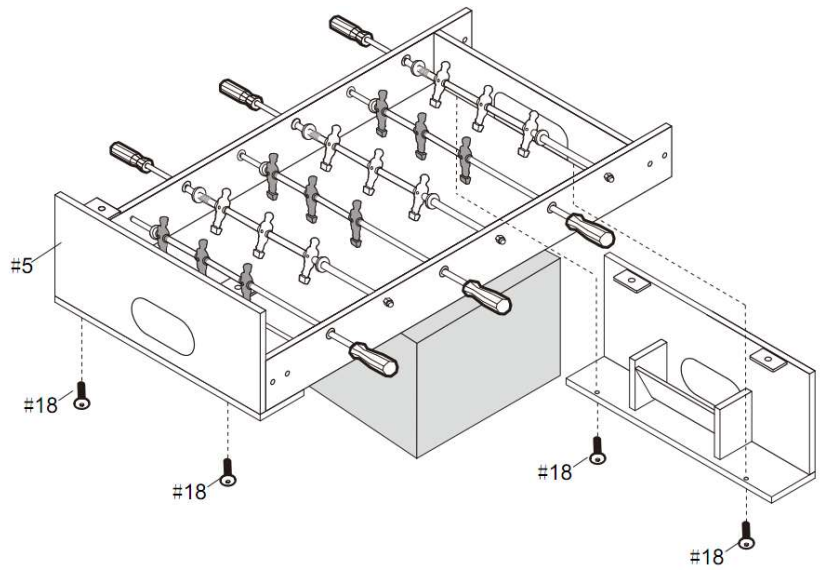
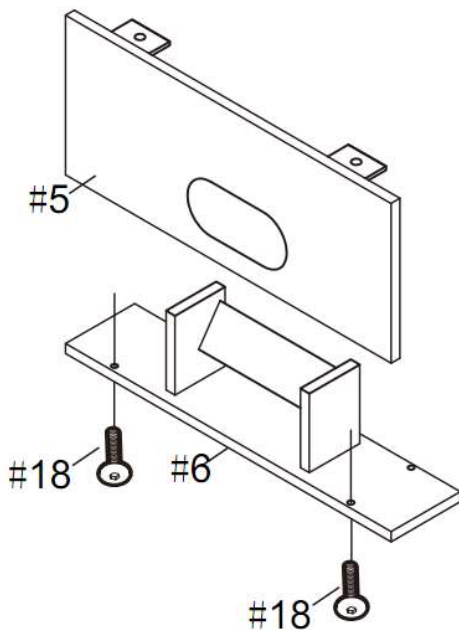
Pay attention to the 2 colours of players as above shown.



STEP 3: Fix the handles (#10) at the other end of the rods.

Put the assembled soccer cabinet on a flat surface.

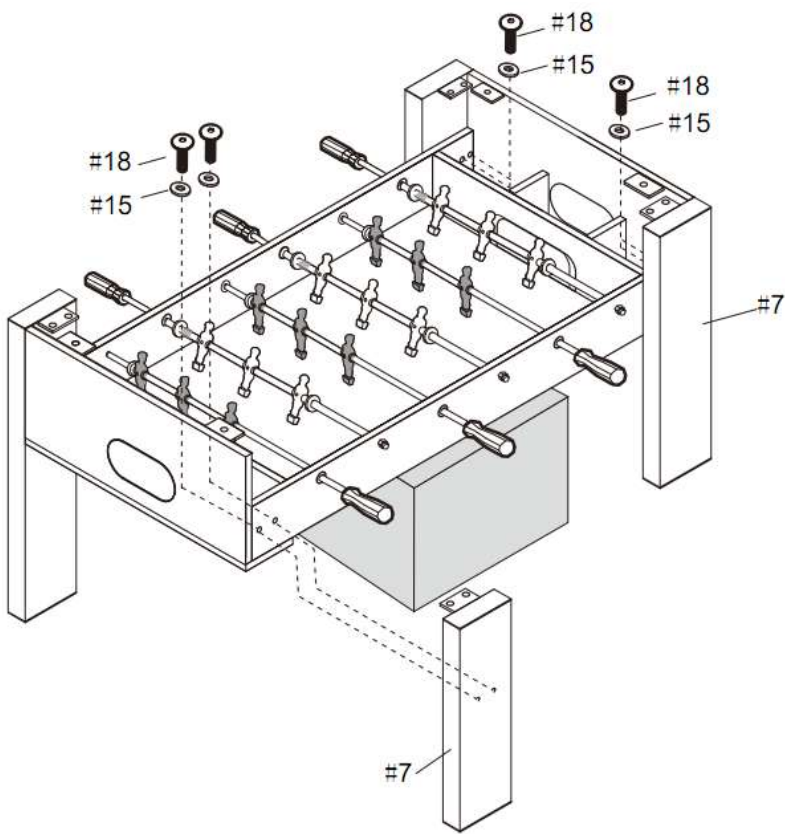
STEP 4 & 5: END APRON AND BALL CATCHER ASSEMBLY



STEP 4: Attach end apron (#5) to ball catcher (#6) with bolts (#18), using Allen key (#22).

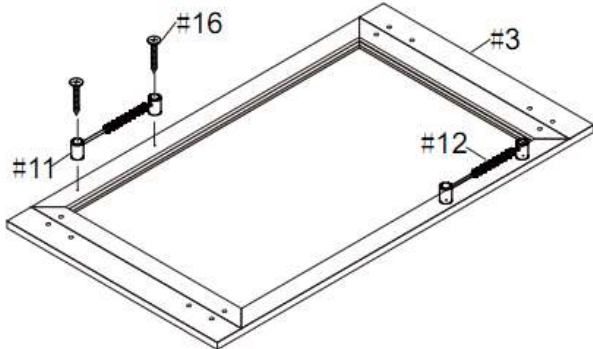
STEP 5: Attached assembled panel to soccer cabinet with bolts (#18), using Allen key (#22).

STEP 6: LEG ASSEMBLY

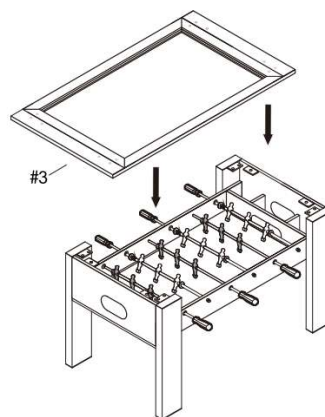


STEP 6: Attach legs (#7) to assembled soccer cabinet with flat washers (#15) and bolts (#18), using Allen key (#22).

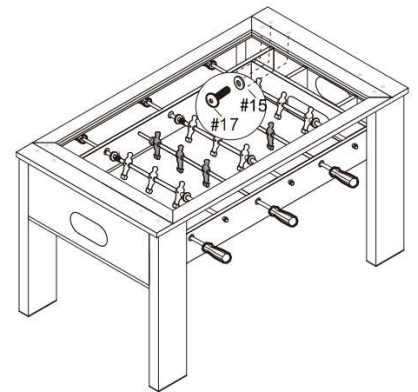
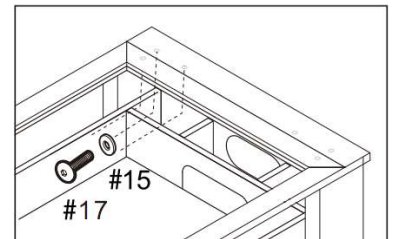
STEP 7 & 8 & 9: TOP CABINET ASSEMBLY

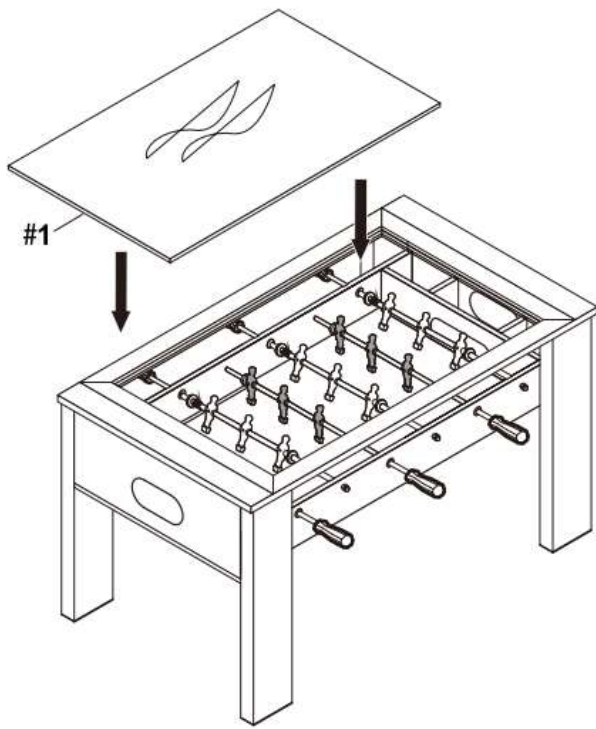


STEP 7: Fix scorer A (#11) and scorer B (#12) with screws (#16) on the top cabinet (#3).



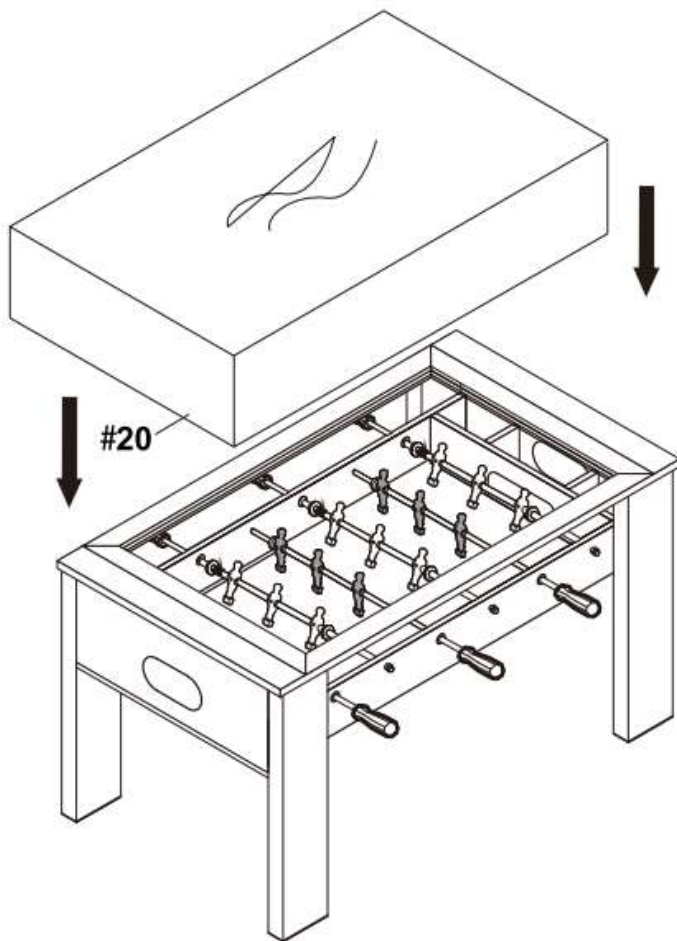
STEP 8: Put top cabinet (#3) onto soccer cabinet and fix with bolts (#17) and flat washers (#15), using Allen key.





STEP 9: Put glass (#1) on top.

Table is ready for use now.



When the table is not in use, you can protect it with the provided cover #20.